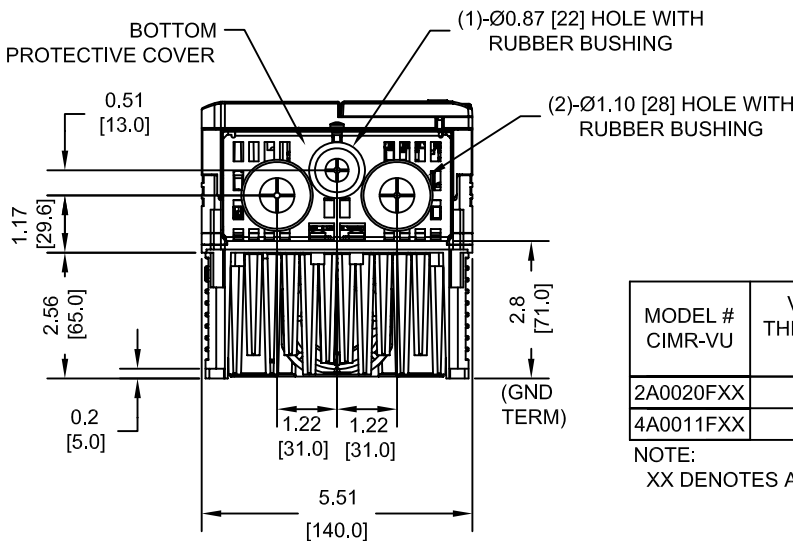
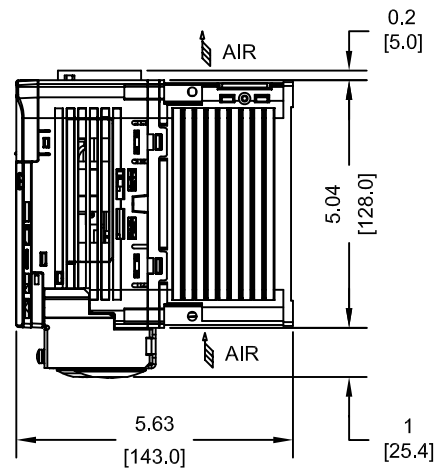
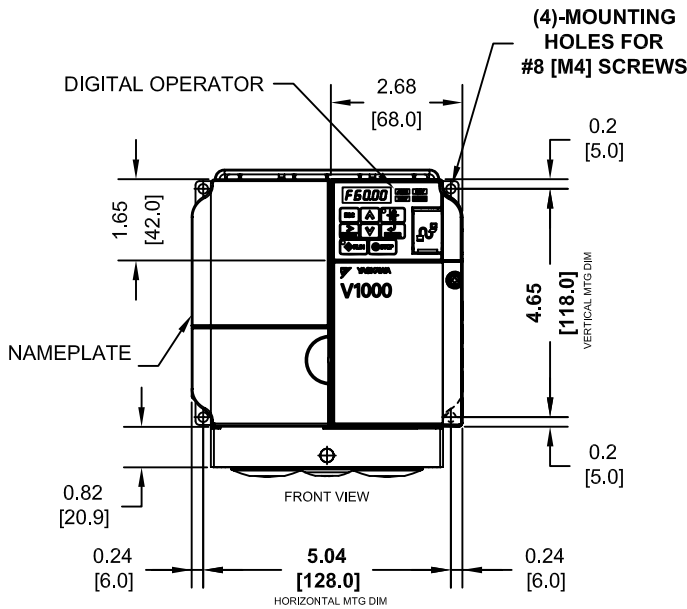
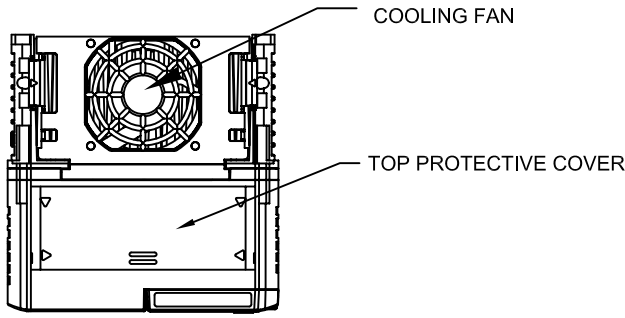


NOTE:

PROTECTIVE COVERS ARE FACTORY INSTALLED TO THE TOP AND BOTTOM OF THE DRIVE TO MEET IP20 & NEMA TYPE 1 REQUIREMENTS, RESULTING IN AN AMBIENT TEMPERATURE RATING OF 104F(40C). REMOVE THESE COVERS WHEN OPERATING THE DRIVE WITHIN A PANEL TO OBTAIN THE MAXIMUM SURROUNDING AIR TEMPERATURE RATING OF 122F(50C). REMOVING THESE COVERS RESULTS IN AN ENCLOSURE RATING OF IP00.



MODEL # CIMR-VU	VOLTAGE THREE PHASE (VAC)	OUTPUT CURRENT (A)		WEIGHT LBS (Kg)	HEAT LOSS (W)					
		ND	HD		ND (Fc=2kHz)			HD (Fc=8kHz)		
					INT	EXT	TOT	INT	EXT	TOT
2A0020FXX	208/240	19.6	17.5	5.7 (2.6)	46.3	98.7	145.0	43.3	110.5	153.8
4A0011FXX	380/480	11.1	9.2	5.7 (2.6)	46.0	81.7	127.7	41.5	107.2	148.7

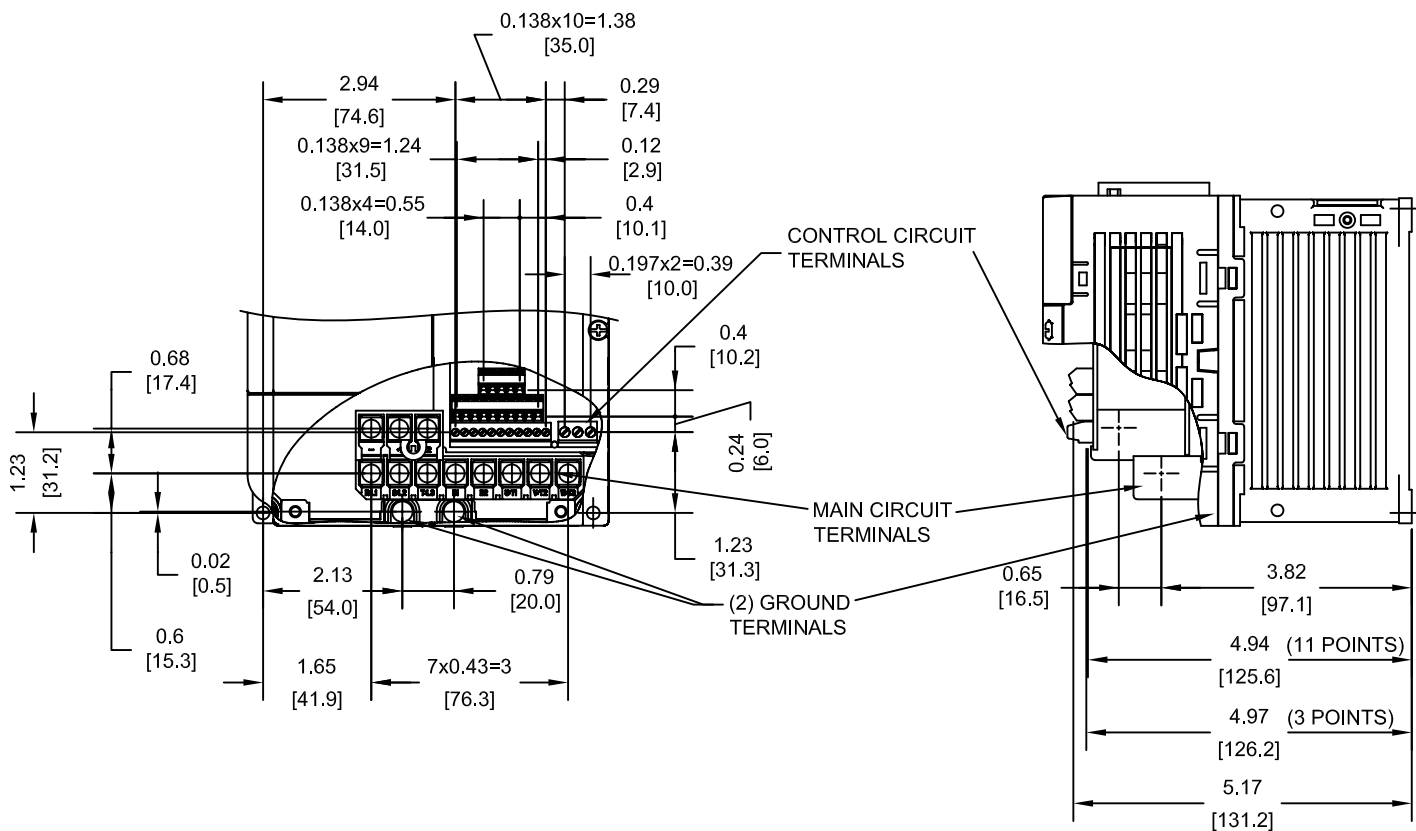
NOTE:
XX DENOTES AA-ZZ

INT=INTERNAL COMPONENTS
EXT=EXTERNAL HEATSINK
TOT=TOTAL

FOR ADDITIONAL DETAILS AND SPECIFICATIONS, CONSULT MANUAL

TOLERANCES / REFERENCES:		<p>YASKAWA The Drive for Quality™</p> <p>THIS DOCUMENT AND INFORMATION CONTAINED IN IT ARE CONFIDENTIAL, AND CANNOT BE COPIED OR DISCLOSED IN WHOLE OR IN PART WITHOUT THE EXPRESS WRITTEN CONSENT OF YASKAWA ELECTRIC AMERICA INC.</p>	DRAWN: J. MATTAS DATE 1-7-08	TITLE: V1000 DIMENSION DRAWING FRAME SIZE 11 NEMA TYPE 1 ENCLOSURE 2A0020F & 4A0011F
UNITS: IN[mm]	SCALE: 1:4		CHECKED: M. RUCINSKI DATE 5-7-08	TECH: J. CAIRO DATE 3-24-08
		APPROVED: T. SASADA DATE 5-27-08	ORIGINAL DESIGN: - DATE -	SIZE A REVISION R00 PAGE 1 of 3
		DRAWING #: DD.V1K.FR11.N1		

TERMINAL AND WIRING DETAILS (SCALE 1:3)



TERMINAL AND WIRE SPECIFICATIONS FOR
MAIN CIRCUIT AND GROUND

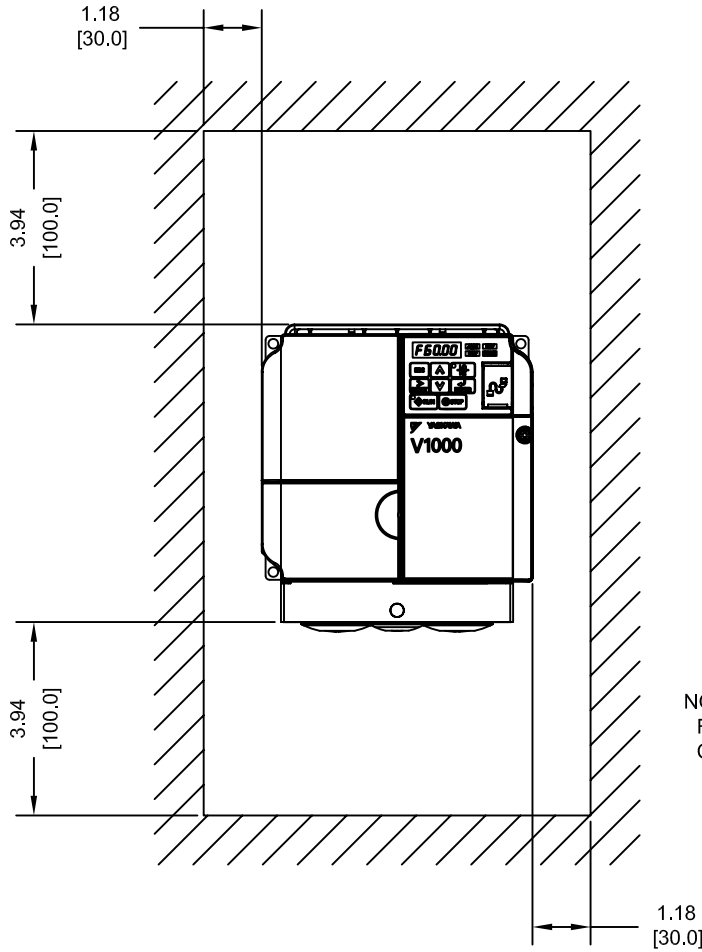
MODEL #	TERMINAL SCREW	CLAMPING TORQUE lb.in.(N.m.)	WIRE RANGE AWG(mm ²)
2A0020F	M4	10.6 TO 13.3 (1.2 TO 1.5)	22-10 (0.33-5.5)
4A0011F	M4	10.6 TO 13.3 (1.2 TO 1.5)	22-10 (0.33-5.5)

NOTE: RATINGS APPLY TO BOTH FACTORY AND FIELD WIRING
REFER TO APPLICABLE CODES FOR PROPER WIRE TYPE AND SIZE

FOR ADDITIONAL DETAILS AND SPECIFICATIONS, CONSULT MANUAL

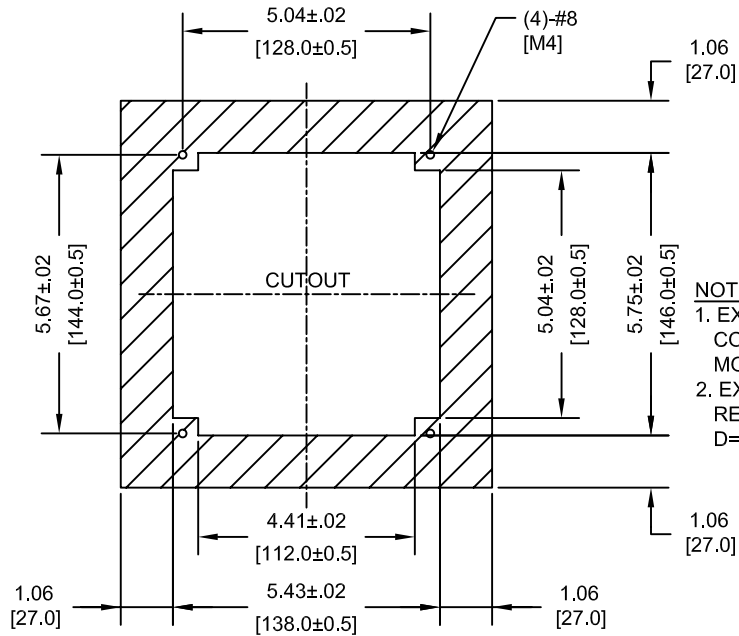
TOLERANCES / REFERENCES:			DRAWN: J. MATTAS DATE 1-7-08	DATE 1-7-08	TITLE: V1000 DIMENSION DRAWING FRAME SIZE 11 NEMA TYPE 1 ENCLOSURE 2A0020F & 4A0011F	
UNITS: IN[mm]			CHECKED: M. RUCINSKI DATE 5-7-08	DATE 5-7-08		SIZE A
SCALE: BY VIEW		THIS DOCUMENT AND INFORMATION CONTAINED IN IT ARE CONFIDENTIAL, AND CANNOT BE COPIED OR DISCLOSED IN WHOLE OR IN PART WITHOUT THE EXPRESS WRITTEN CONSENT OF YASKAWA ELECTRIC AMERICA INC.	TECH: J. CAIRO DATE 3-24-08	DATE 3-24-08	DRAWING #: DD.V1K.FR11.N1	
			APPROVED: T. SASADA DATE 5-27-08	DATE 5-27-08		
		ORIGINAL DESIGN: -	DATE -			

MINIMUM INSTALLATION CLEARANCES (SCALE 1:4)



NOTE:
FOR SIDE-BY-SIDE MOUNTING
CONSULT MANUAL

PANEL CUTOUT FOR EXTERNAL HEATSINK
MOUNTING CONFIGURATION (SCALE 1:4)



NOTES:
1. EXTERNAL HEATSINK
CONFIGURATION REQUIRES
MOUNTING KIT
2. EXPOSED HEATSINK
RECOMMENDED CLEARANCE
D=2.76" MINUS PANEL THICKNESS

TOLERANCES / REFERENCES:		<p>THIS DOCUMENT AND INFORMATION CONTAINED IN IT ARE CONFIDENTIAL, AND CANNOT BE COPIED OR DISCLOSED IN WHOLE OR IN PART WITHOUT THE EXPRESS WRITTEN CONSENT OF YASKAWA ELECTRIC AMERICA INC.</p>	DRAWN: J. MATTAS DATE: 1-7-08	DATE: 1-7-08	TITLE: V1000 DIMENSION DRAWING FRAME SIZE 11 NEMA TYPE 1 ENCLOSURE 2A0020F & 4A0011F
			CHECKED: M. RUCINSKI DATE: 5-7-08	DATE: 5-7-08	
			TECH: J. CAIRO DATE: 3-24-08	DATE: 3-24-08	
			APPROVED: T. SASADA DATE: 5-27-08	DATE: 5-27-08	
UNITS: IN[mm]	SCALE: BY VIEW	ORIGINAL DESIGN: -	DATE: -	SIZE: A REVISION: R00 PAGE: 3 of 3	DRAWING #: DD.V1K.FR11.N1